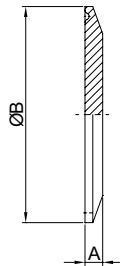




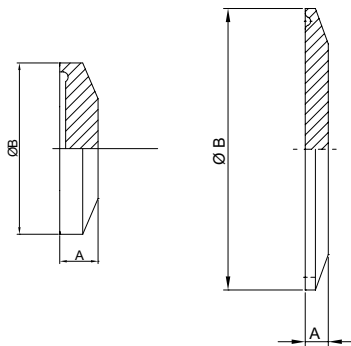
卡箍堵头
End Cap



DIN	Size	A	B
	DN10	6.3	34.0
	DN15	6.3	34.0
	DN20	6.3	34.0
	DN25	6.3	50.5
	DN32	6.3	50.5
	DN40	6.3	50.5
	DN50	6.3	64.0
	DN65	6.3	91.0
	DN80	6.3	106.0
	DN100	6.3	119.0
	DN125	11.1	145.0
	DN150	11.1	167.0

No.KST-F016

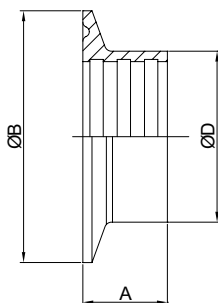
卡箍堵头
(16AMP) End Cap



Size	A	B
1/2"	6.3	25.2
3/4"	6.3	25.2
1"	6.3	50.5
1 1/2"	6.3	50.5
2"	6.3	64.0
2 1/2"	6.3	77.5
3"	6.3	91.0
4"	7.9	119.0
6"	11.1	167.0
8"	11.1	217.7
10"	11.1	268.5

No.KST-F017

扩展式接头
(14RMP) Expanded Ferrule



Size	A	B	D
1"	19.1	50.5	29.5
1 1/2"	28.6	50.5	42.6
2"	33.3	64.0	55.7
2 1/2"	34.9	77.5	68.8
3"	36.5	91.0	81.9
4"	38.1	119.0	108.1

No.KST-F018